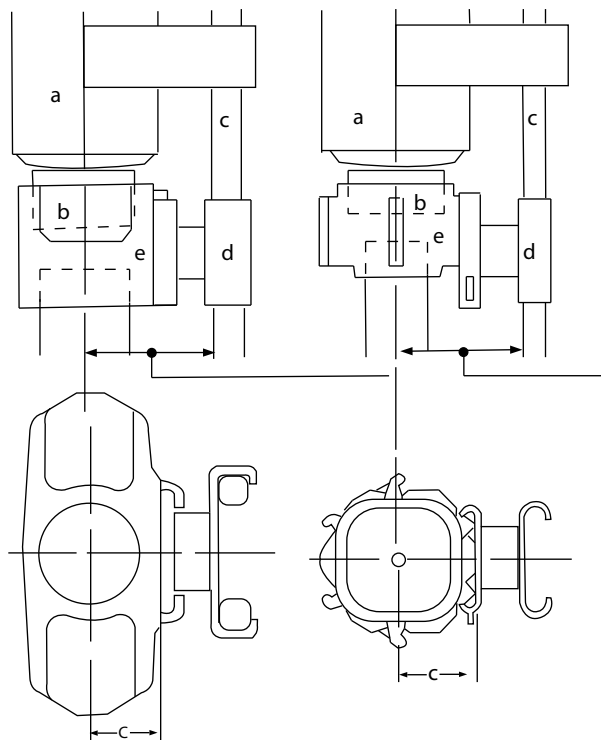


Driving caps

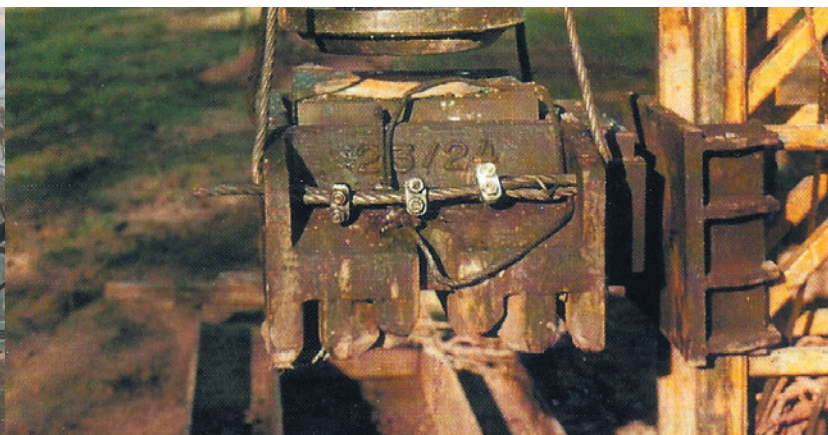
The driving cap ensures a good transfer of the energy of the driving impact into the sheet pile and thus prevents damage to the pile head. Driving caps are made of cast steel. The underside of the driving cap is provided with grooves that have a wedge-shaped widening towards the bottom to make it easier to place the driving cap on the sheet pile wall. At the same time, the arrangement of the grooves allows different profiles to fit into one driving cap, thus each driving cap model can be used for several sheet pile profiles..



- A. Driving cap
- B. Lining
- C. Leader
- D. Guide impact bonnet
- E. Impact bonnet

The distance from the centre of the bear to the leader guide must correspond to the distance from the centre of the pile to the leader guide.

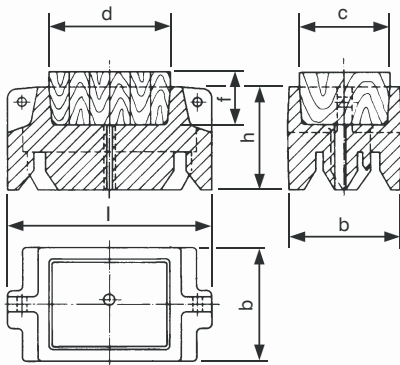
On the top of the driving cap is a recess into which the pile-driving lining, usually made of hardwood or plastic, is inserted. The lining dampens the impacts of the ram.



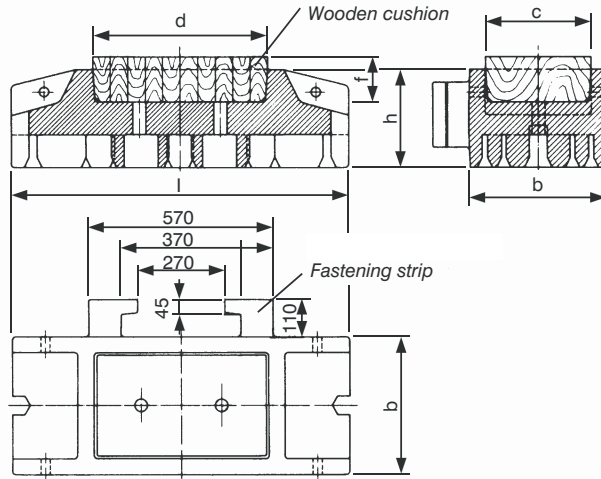
Driving caps for HOESCH and LARSEN sections/piles and UP piles

Available are single and double driving caps. Driving caps with wooden cushions or, if specially requested, with overlapping steel/plastic linings. For driving with leader guidance, caps with integrally cast fastening strips are available.

Single driving cap



Double driving cap



Single driving cap

No.	Section	Total weight approx. kg	Dimensions in mm						Fastening strips
			Cap h	b	l	Lining c	d	f	
RH L601 ELP 001	L601 L602		350	460	540	340	380	140	with
RH L601 ELP 002	L601 L602	250	270	300	600	224	300	140	without
RH L603 E 001	L603	300	280	320	600	260	380	140	without
RH L603 E 002	L603 L605	480	280	600	600	Ø 420		140	with
RH L604n ELP 001	L604n		350	540	540	420	380	140	with
RH L605 ELP 001	L605		350	600	540	480	380	140	with
RH L606n ELP 001	L606n		350	600	540	480	380	140	with
RH L607n E 002	L607n	590	350	600	540	380	480	140	with
RH L628 ELP 003	L628 L607n	590	350	600	540	480	380	140	with

Double driving cap

No.	Section	Total weight approx. kg	Dimensions in mm						Fastening strips
			Cap h	b	l	Lining c	d	f	
RH L601 D 001	L601 L602	750	370	410	1150	Ø 300		140	with
RH L601 D 002	L601 L602	700	320	410	1150	300	500	140	with
RH L603 D 003	L603	940	350	490	1240	Ø 400		140	with
RH L604n D 001	L604n	1100	360	540	1240	Ø 450		140	with
RH L605 D 001	L605		400	600	1240	Ø 504		200	with
RH L606n D 001	L606n		400	600	1240	Ø 504		200	with
RH L607n D 001	L607n	1270	400	600	1240	Ø 504		200	with
RH L628 D 003	L628 L607n	1120	400	600	1240	Ø 504		200	with