

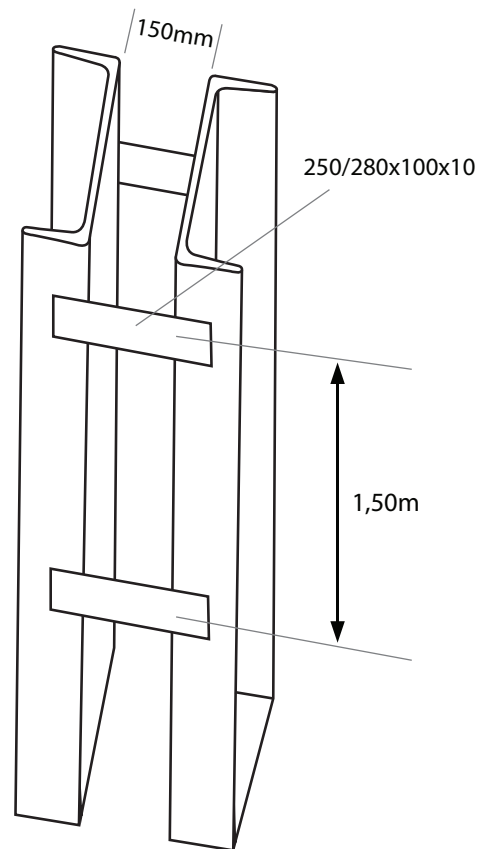
# Double-U Profiles

## Double-U profiles for soldier pile shoring

DU profiles are made of UPN shaped steel and welded according to EN1090, EXC 2.

- Weld seam  $a = 4 \text{ mm}$
- Clear inside width: 150 mm
- Bracket size: 250/280x100x10
- Bracket spacing: 1.50 m

Stapled foot plates, anchor support plates, sand plates and special profiles are also included in our scope of delivery, which is characterised by quality, speed and flexibility.



Profile	Height	Width	Wx	Weight	Weight
U-Profile	mm	mm	cm <sup>3</sup>	kg/m	kg/m
				U-Profile	DU-Profile
240	240	85	300	34	71,4
260	260	90	371	39	83,0
280	280	95	448	43	90,3
300	300	100	535	48	100,8
320	320	100	679	61	128,1
350	350	100	734	62	130,2
380	380	102	829	65	136,5
400	400	110	1020	74	155,4

