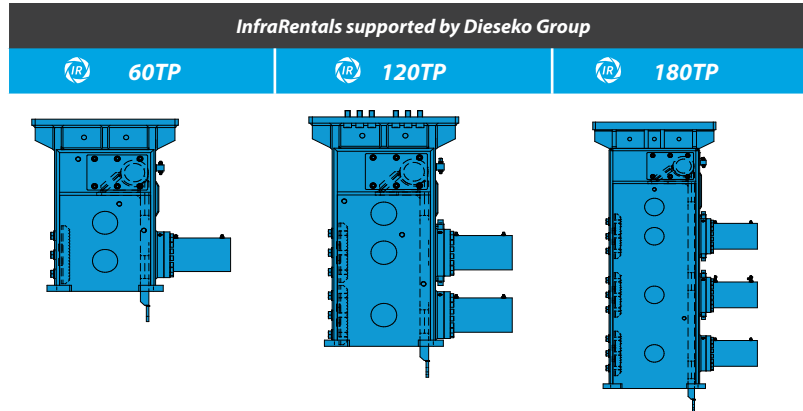


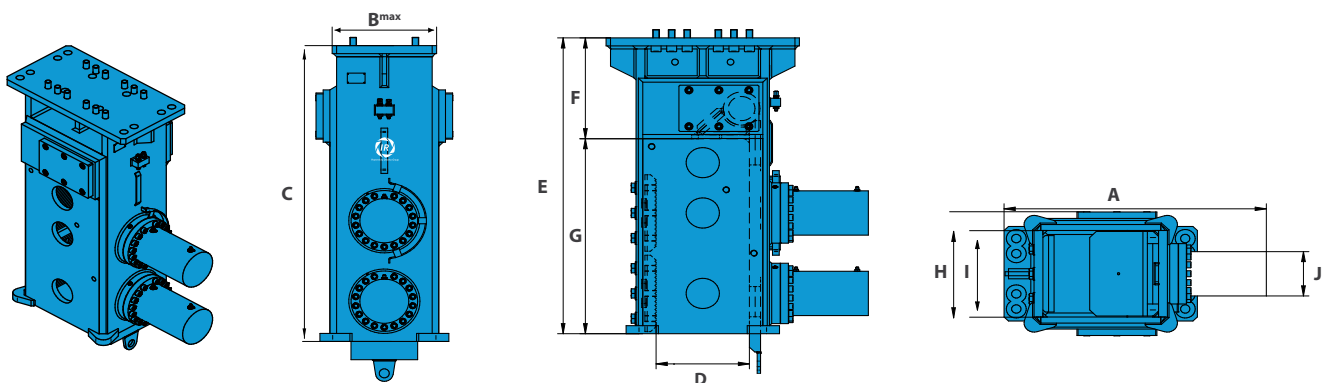
# Pile clamp

## Pile clamp

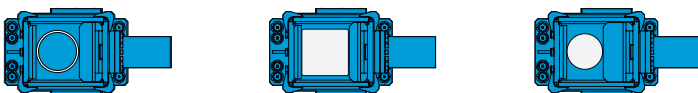
InfraRentals supported by Dieseko Group



	60TP	120TP	180TP
Clamping force (kN)	600	1200	1800
Working pressure (bar)	300	300	300
Max. operating press. (bar)	180	180	180
Weight (kg)	1240	1650	2820
A	1180	1180	1270
B	470	470	470
C	1328	1668	2474
D	420	420	520
E	1130	1470	2275
F	501	501	526
G	629	969	1749
H	617	617	727
I	430	430	530
J	220	220	220



## Pile clamp options



**Stock locations:** • Dronten (NL) • Sliedrecht (NL) • Hohenwart (DE) • Hamburg (DE) • Großwallstadt (DE)